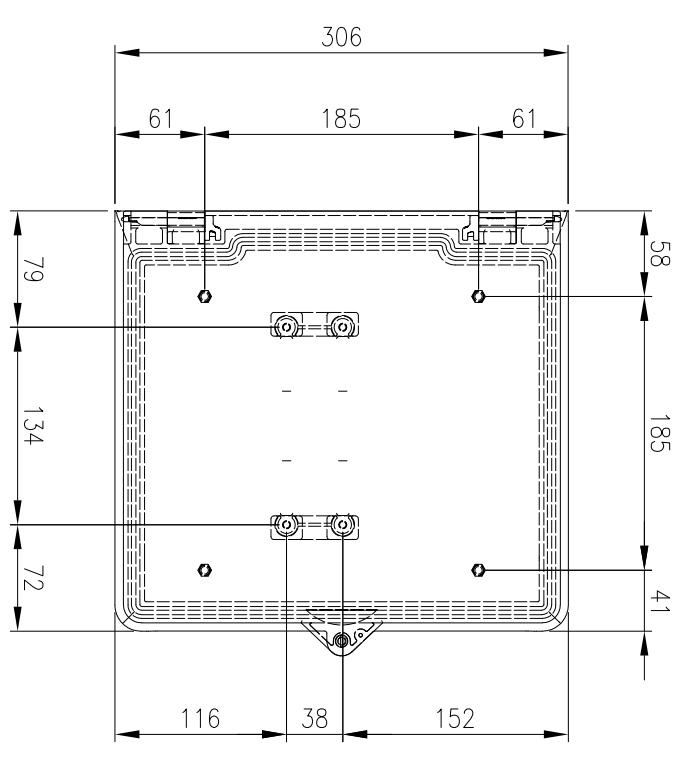
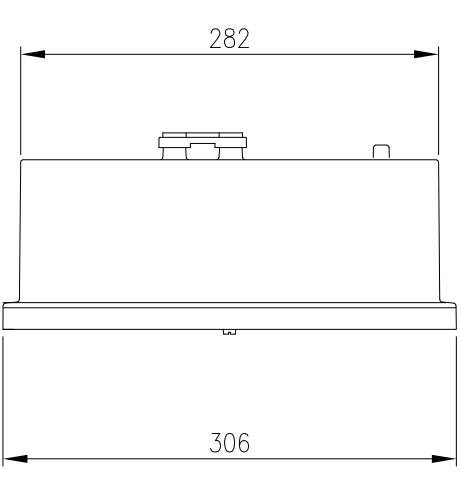


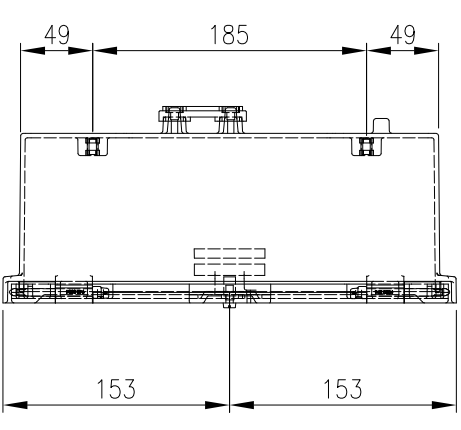
TOP VIEW



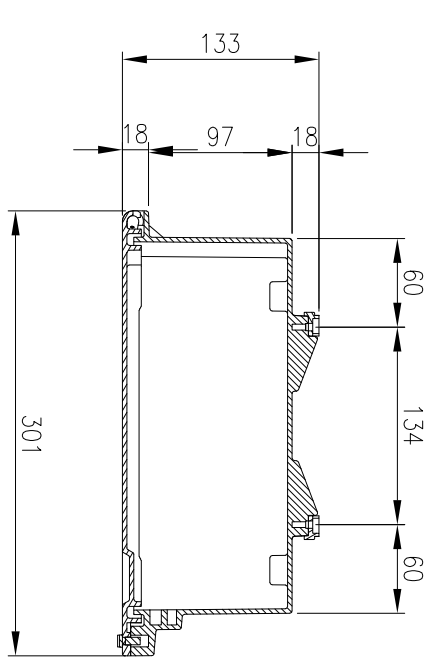
FRONT VIEW



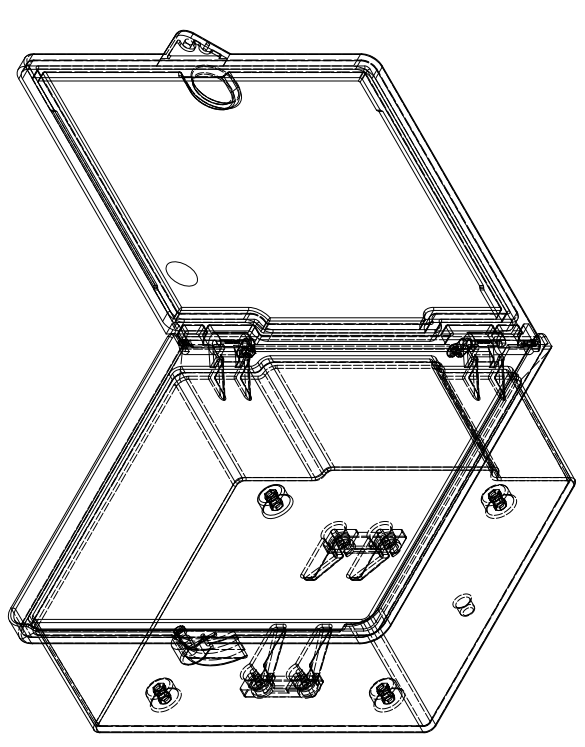
SIDE VIEW



SECTION AV-AV



SECTION AW-AW



MATERIAL:
 BODY: GLASS-FIBRE REINFORCED POLYESTER (GRP)
 DOOR: GLASS-FIBRE REINFORCED POLYESTER (GRP)
 DEVICE PLATE: POLYESTER
 SEAL: POLYURETHANE

PROTECTION: IP66
STANDARD: IP62208, IEC/EN/AS60529

© IP ENCLOSURES 2016.
 THIS DRAWING SHALL NOT BE COPIED OR REPRODUCED
 WITHOUT AUTHORISATION FROM IP ENCLOSURES.
 www.ipenclosures.com.au

Item	Quantity	Material, designation, material, dimension etc.	Article No./Reference	Scale
IP Enclosures				1:5
IP-GRP-303010-SB				1/1

