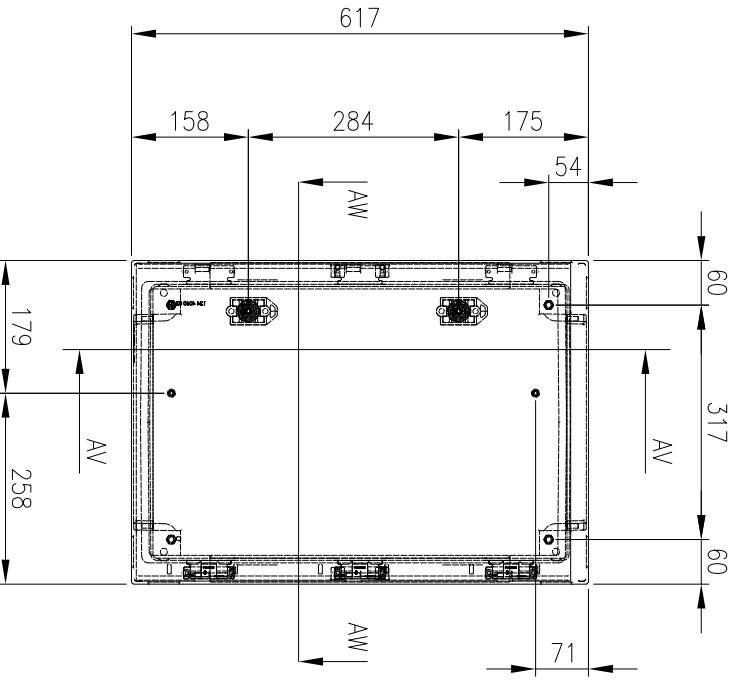
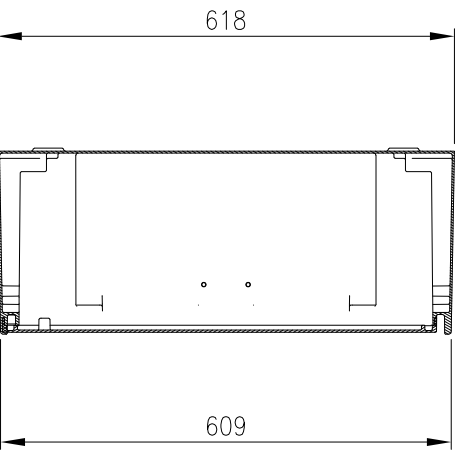


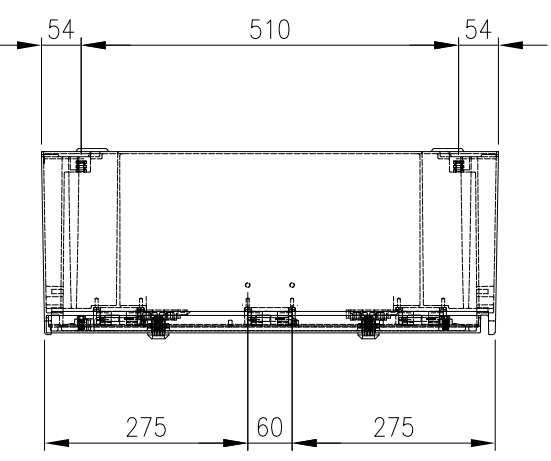
TOP VIEW



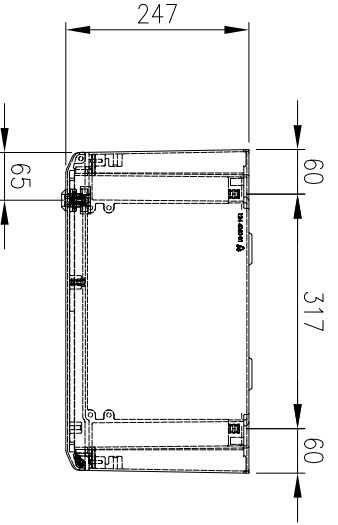
FRONT VIEW



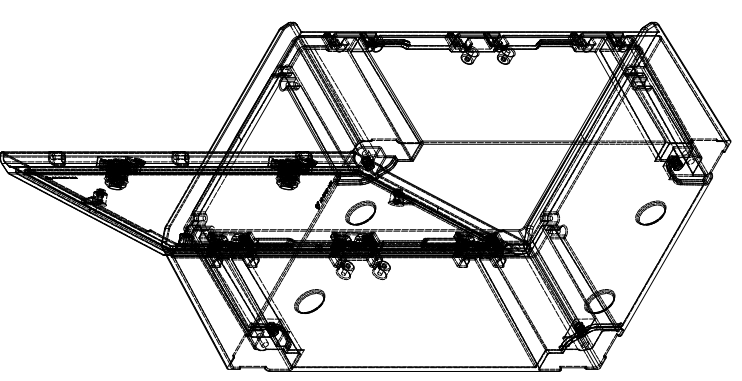
SIDE VIEW



SECTION AV-AV



SECTION AW-AW



MATERIAL:
 BODY: GLASS-FIBRE REINFORCED POLYESTER (GRP)
 DOOR: GLASS-FIBRE REINFORCED POLYESTER (GRP)
 DEVICE PLATE: POLYESTER
 SEAL: POLYURETHANE

PROTECTION: IP65
STANDARD: IEC62208, IEC/EN/AS60529

© IP ENCLOSURES 2016.
 THIS DRAWING SHALL NOT BE COPIED OR REPRODUCED
 WITHOUT AUTHORISATION FROM IP ENCLOSURES.
 www.ipenclosures.com.au

Item#	Quantity	TradeName, designation, material, dimension etc.	Article No./Reference	Scale
IP	1	618H x 438W x 251D GRP ENCLOSURE	IP-GRP04025	1:10
IP	1	618H x 438W x 251D GRP ENCLOSURE	IP-GRP04025	1:10

