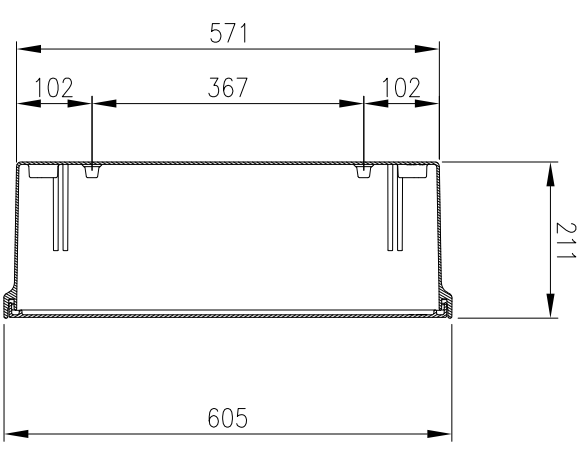
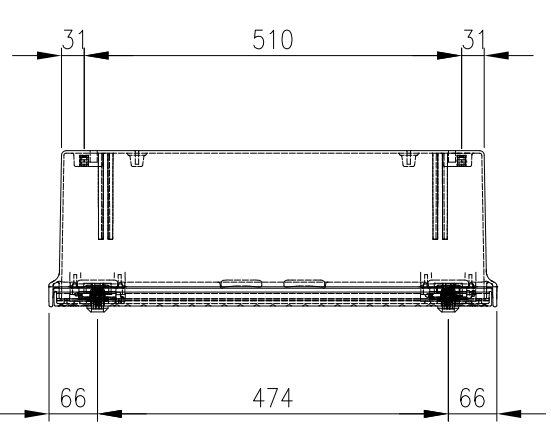


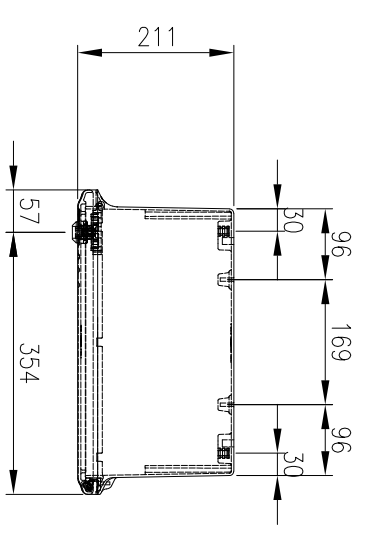
FRONT VIEW



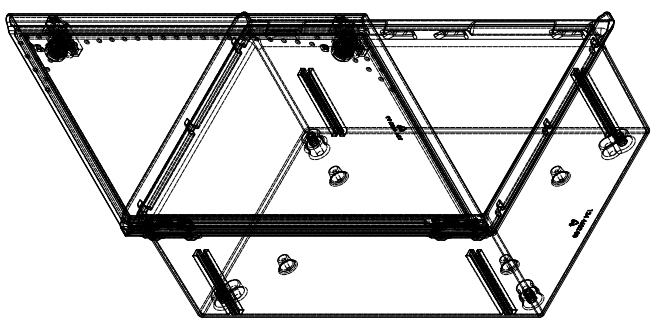
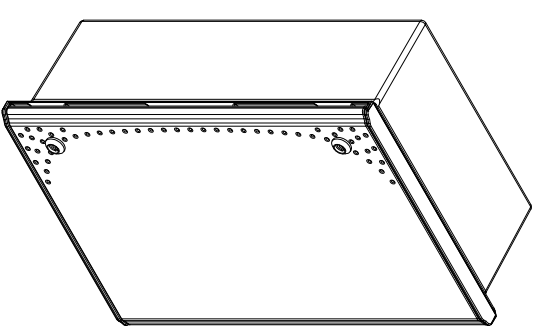
SIDE VIEW



SECTION AV-AV



SECTION AW-AW



**MATERIAL:**  
 BODY: GLASS-FIBRE REINFORCED POLYESTER (GRP)  
 DOOR: GLASS-FIBRE REINFORCED POLYESTER (GRP)  
 DEVICE PLATE: POLYESTER  
 SEAL: POLYURETHANE

**PROTECTION:** 1P66  
**STANDARD:** IEC62208, IEC/EN/AS60529

Item#	Quantity	TradeName, designation, material, dimension etc.	Article No./Reference	Scale
IP	Enclosures			1:10
Designed by	Checked by	Approved by - date	Filename	Date
IP	IP	13/04/21	IP-GRP04020	13/04/21
605H x 411W x 211D GRP ENCLOSURE				1:10
IP-GRP04020				1/1

© IP ENCLOSURES 2016.  
 THIS DRAWING SHALL NOT BE COPIED OR REPRODUCED  
 WITHOUT AUTHORISATION FROM IP ENCLOSURES.  
 www.ipenclosures.com.au

