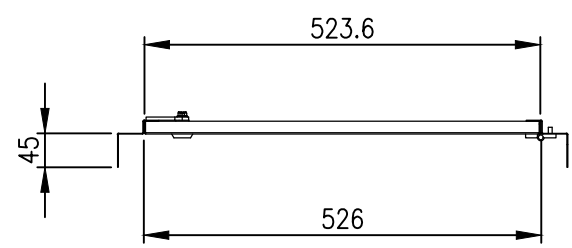
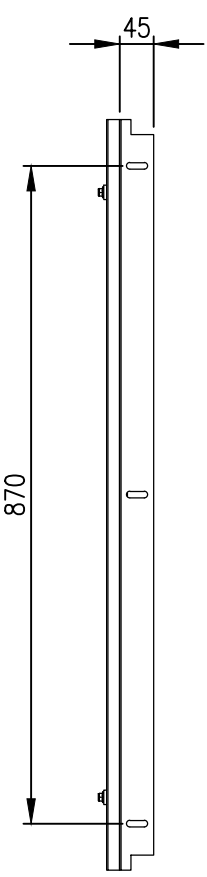


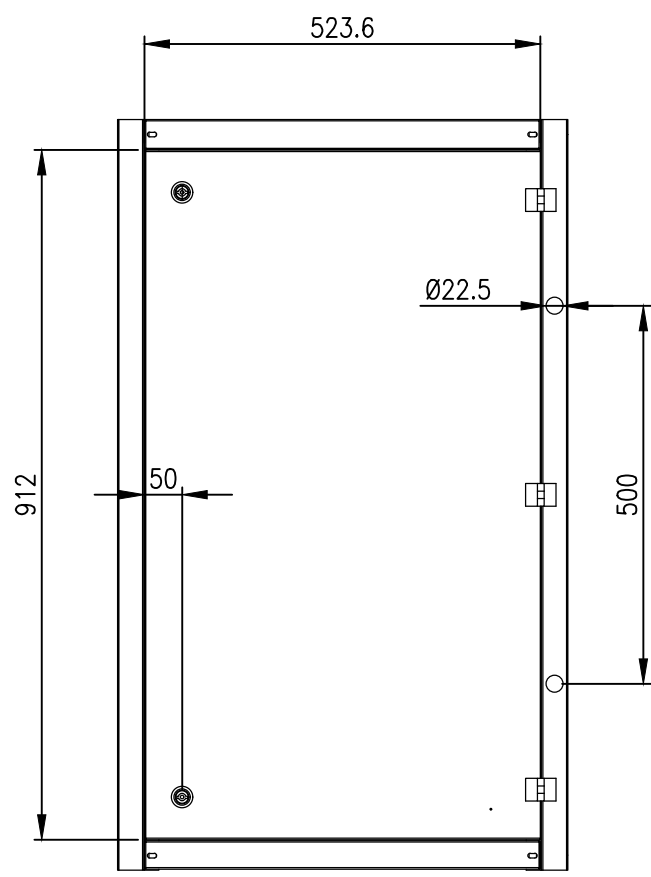
RevNo	Revision note	Date	Signature	Checked
0	GENERAL REVISION		IP	IP



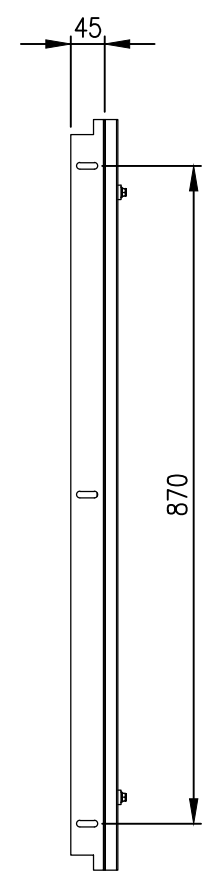
TOP VIEW



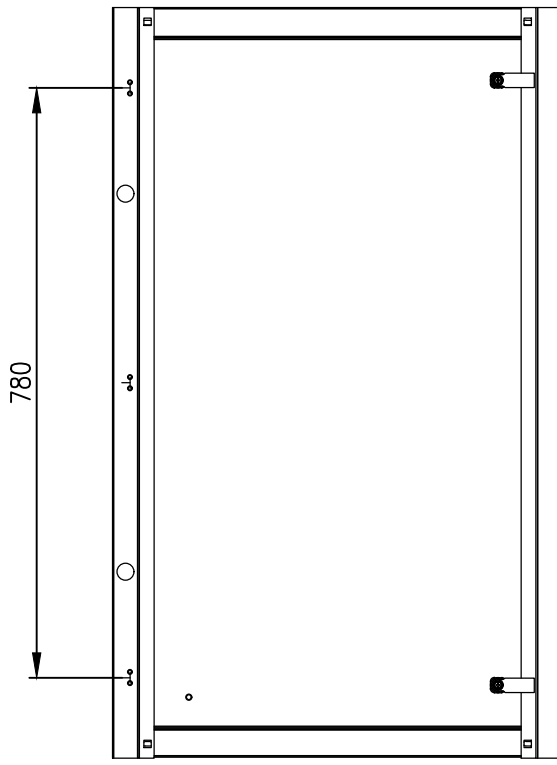
LEFT SIDE VERTICAL FRAME



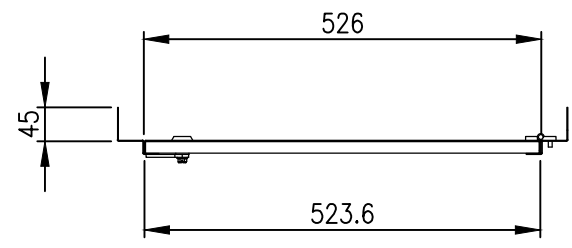
FRONT VIEW



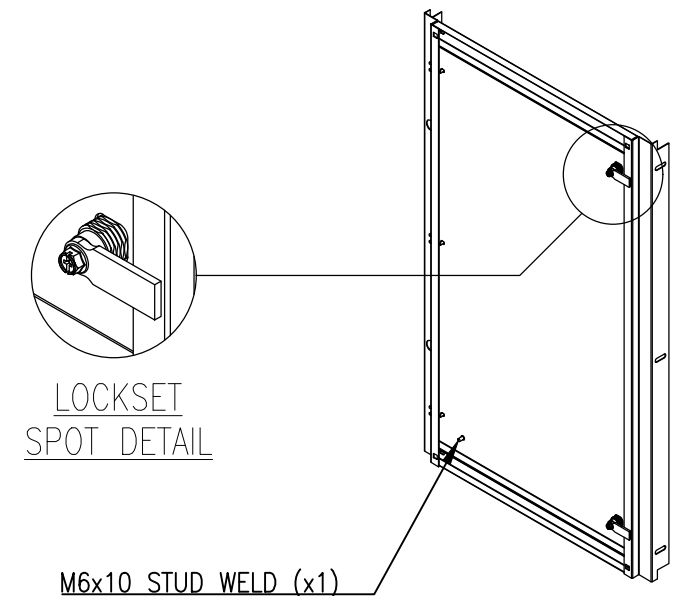
RIGHT SIDE VERTICAL FRAME



REAR VIEW



BOTTOM VIEW



LOCKSET SPOT DETAIL

M6x10 STUD WELD (x1)

**MATERIAL**  
 FRAME: 1.5mm 316 STAINLESS STEEL  
 DOOR PANEL: 1.5mm 316 STAINLESS STEEL

**CLEARANCE/DISTANCE DIMENSIONS:**  
 -INNER DOOR TO OUTER DOOR: 68mm  
 -INNER DOOR TO MOUNTING PLATE:  
 -(ENCLOSURE WITH 300 DEPTH): 217.2mm

© IP ENCLOSURES 2022.  
 THIS DRAWING SHALL NOT BE COPIED OR REPRODUCED  
 WITHOUT AUTHORISATION FROM IP ENCLOSURES.  
 www.ipenclosures.com.au

Itemref	Quantity	Title/Name, designation, material, dimension etc	Article No./Reference
Designed by IP	Checked by IP	Approved by - date 11/07/22	Filename IP-SSID10060 Date 11/07/22 Scale 1:10
IP Enclosures		1000Hx600W 316SS INNER DOOR	
		IP-SSID10060	Edition 0 Sheet 1/1